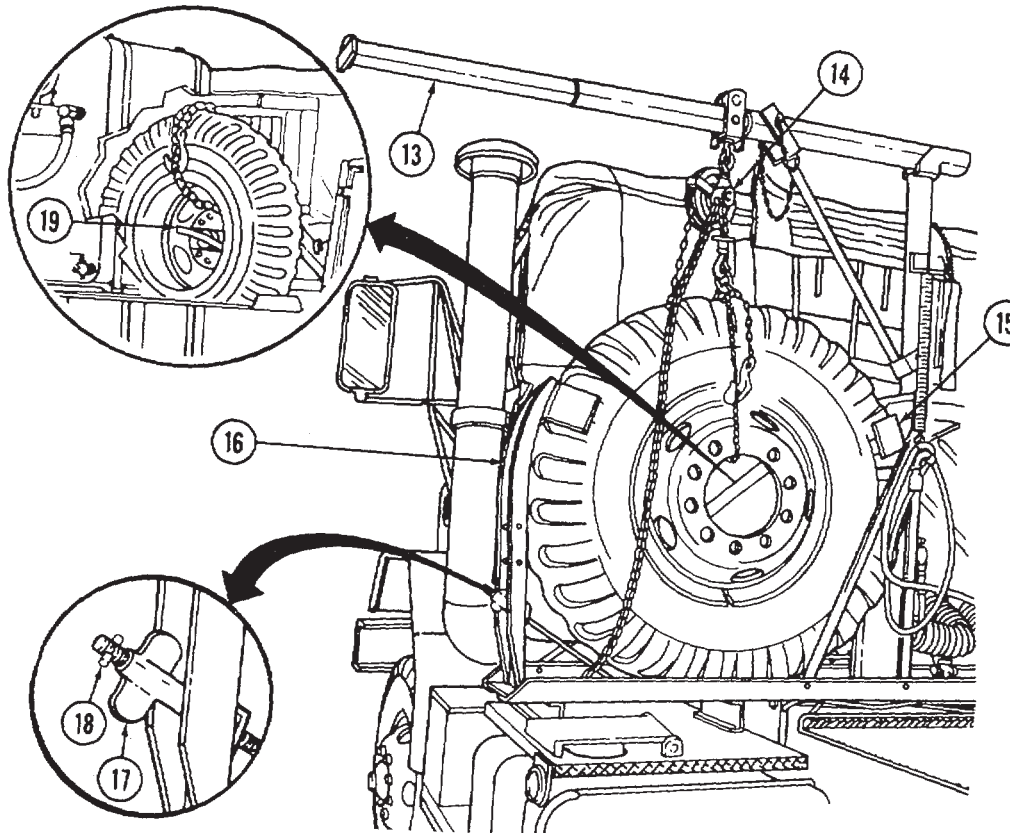


**2-3. CHASSIS CONTROLS AND INDICATORS (Contd)**



**Key Item and Function**

- 13 SPARE TIRE DAVIT BOOM is extended to allow spare tire to be lifted and guided over side of vehicle. Davit boom is installed on all M939/A1/A2 series vehicles except M929/A1/A2, M930/A1/A2, and M934/A1/A2 models which are equipped with an eyebolt or special divot, and M936/A1/A2 models which use the vehicle boom to lift and lower spare tire.
- 14 CHAIN FALL lifts and lowers spare tire (all models except M936/A1/A2).
- 15 WHEEL BRACE holds tire in place once hinged wheel brace (16) is secured.
- 16 HINGED WHEEL BRACE (all models except M929/A1/A2, M930/A1/A2, and M936/A1/A2) is removed before spare tire removal.
- 17 WING LUG secures hinged wheel brace (16) to spare tire.
- 18 RETAINING PIN secures wing lug (17) to hinged wheel brace (16) for traveling.
- 19 SPARE TIRE WING LUG (M936/A1/A2 models) secures spare tire to wrecker.